

## OUTLINE GUN METAL



Kitchen Sinks

Code: 6602 006



### DETAILS

Coloring Gun Metal

---

Edge/Installation Type Flush-mount | Top-mount

---

Material AISI 304 stainless steel

---

Texture Brushed in line

---

Base 90 cm

---

Dimensions 873x513 mm

---

Standard fittings Fixing hooks, gasket, drain, overflow and siphon, boxed packing

---

Mixer holes 2 standard holes - 3rd hole on request

---

Built-in hole View technical data sheet

---

Drainer No

---

Number of bowls 1 bowl

---

Waste fitting 3,5" drain

---

## EQUIPMENT

8407 120 - Space Push  
automatic waste fitting  
8100 606 - Black grid  
8100 607 - Black grid

---

## FEATURES

**Deep bowls** This bowls reach an important depth, over 20 cm, thanks to the advanced production technology, that can be offer great capieny and practicity in all the washing operations.

---

**High thickness** 1mm thick steel. A significant thickness, which guarantees the maximum sturdiness and durability.

---

**Perimetral overflow** The overflow is always a security on the Foster sinks that prevents the overflow of water in case of oversights. The perimeter drain solution improves aesthetics thanks to its square and essential shape.

---

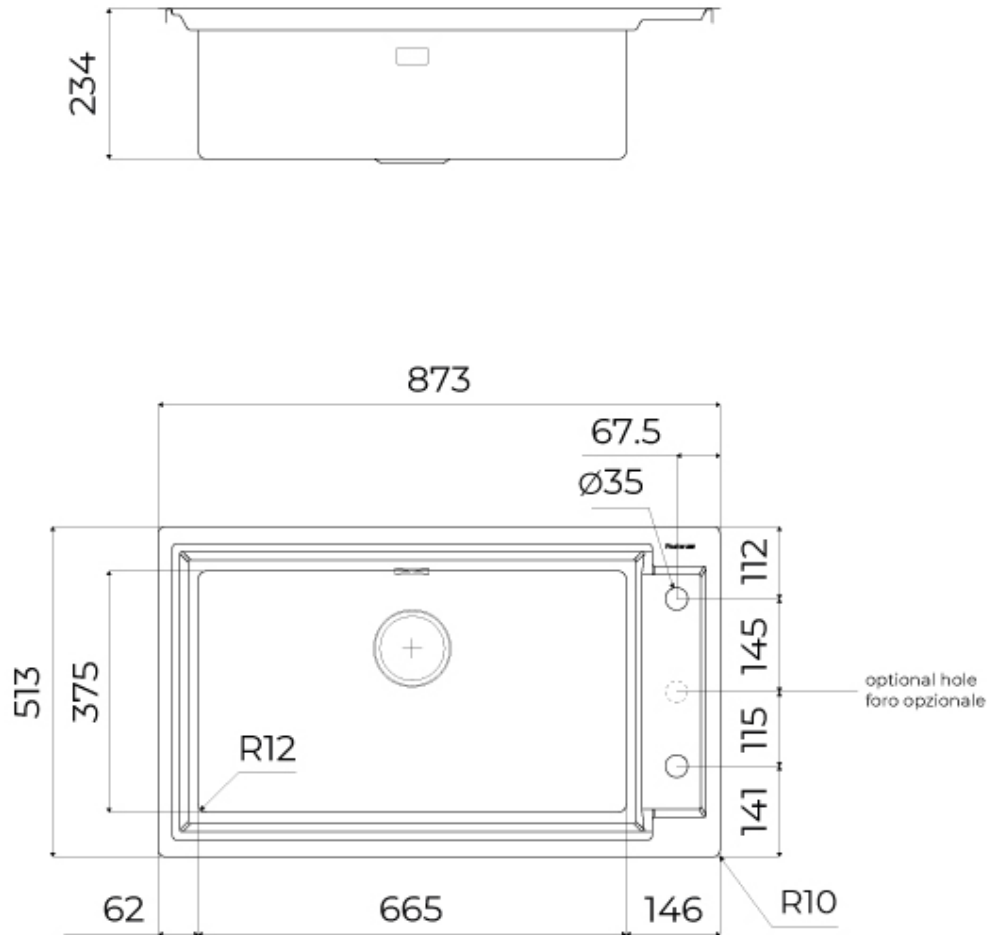
**Small radius** Bowls with squared shapes with a modern design and an increased capacity, for a minimal aesthetics connected with an extreme practicality.

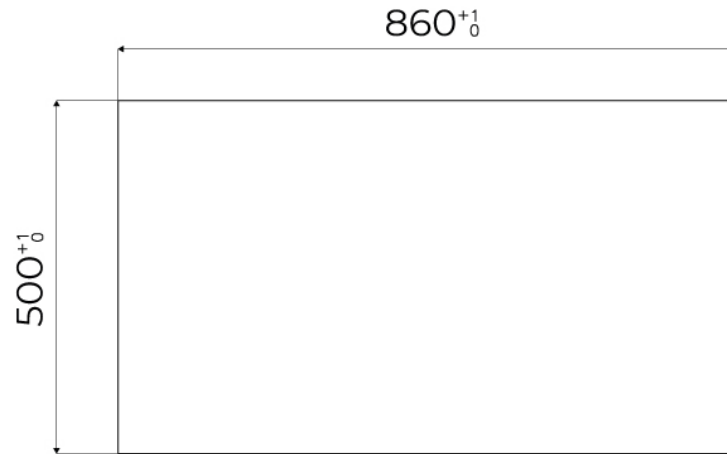
---

**Space waste fitting** The elegant SPACE steel cap closes the drain and leaves no visible residues collected in the basket below. Space also has a small footprint and allows the optimal use of the under-sink compartment.

---

## TECHNICAL DATA

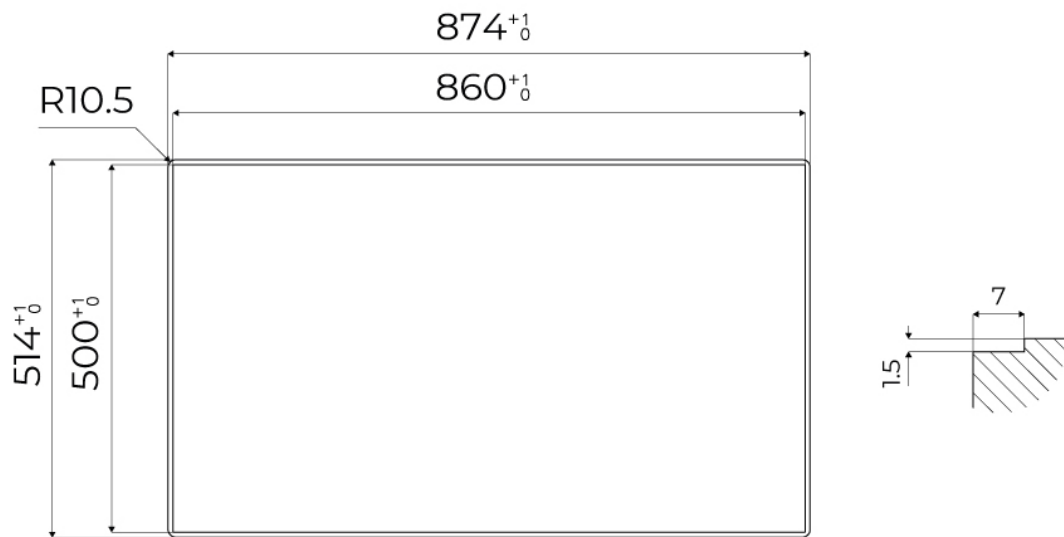




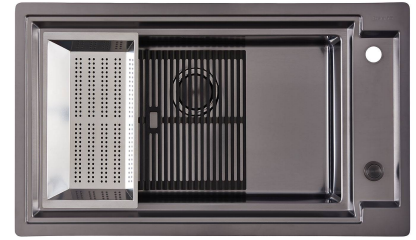
FTS - cut out

FT - cut out

---



## GALLERY



## EQUIPMENT



**Black Grid**  
8100 606



**Black Grid**  
8100 607



**Space Push Gun Metal automatic  
waste fitting - PO**  
8407 120

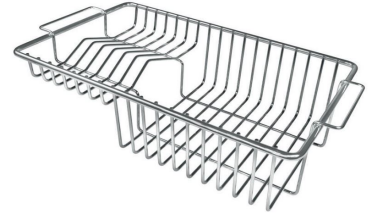
## OPTIONAL ACCESSORIES



**Stainless steel basket**  
8611 000



**Stainless steel perforated tray**  
8156 000



**Stainless steel Plate rack**  
8100 306



**Walnut-wood chopping board**  
8642 004

## RECOMMENDED PAIRINGS



**OP GUN METAL satin**  
8499 106



**OUTLINE GAS - GUN METAL**  
7440 006